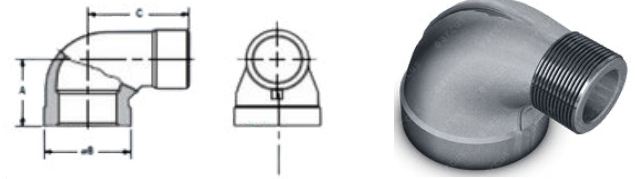


ELBOW / KNIE / WINKEL 90° / COUDE

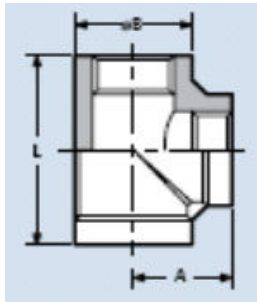
NOMINAL PIPE SIZE	BSP - 150LBS		NPT - 3000LBS	
	A	B	A	B
	mm	mm	mm	mm
1/8"	19	15	-	-
1/4"	21	19	25.0	25.0
3/8"	25	23	28.0	33.0
1/2"	28	28	33.0	38.0
3/4"	33	34	38.0	46.0
1"	37	43	44.0	56.0
1 1/4"	45	52	51.0	62.0
1 1/2"	50	57	60.0	75.0
2"	58	70	64.0	84.0
2 1/2"	69	91	83.0	102.0
3"	79	105	95.0	121.0
4"	97	129	114.0	152.0

> 3000LBS fittings also available as Socket Weld



STREET ELBOW F-M / KNIE BI-BU / WINKEL I-A / COUDE I-E

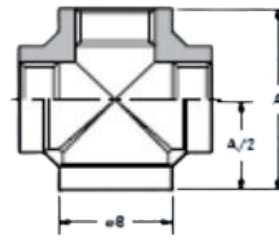
NOMINAL PIPE SIZE	BSP - 150LBS			NPT - 3000LBS	
	A	B	C	A	C
	mm	mm	mm	mm	mm
1/8"	19.0	15	27	-	-
1/4"	21	19	28	25.0	32.0
3/8"	25	23	34	28.0	38.0
1/2"	28	28	41	33.0	41.0
3/4"	33	34	46	38.0	48.0
1"	38	43,5	52	44.0	57.0
1 1/4"	43	52	63	51.0	66.0
1 1/2"	48	57	66	60.0	71.0
2"	57	70	77	64.0	84.0
2 1/2"	70	86,5	98	-	-
3"	81	104	115	-	-
4"	98	129	144	-	-



TEE-PIECE / T-STUK / TEE-SUECK / TE EGAL

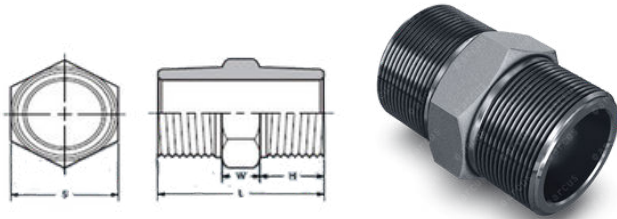
NOMINAL PIPE SIZE	BSP - 150LBS			NPT - 3000LBS		
	A	B	L	A	L	L
	mm	mm	mm	mm	mm	mm
1/8"	19	15	32	-	-	-
1/4"	21	19	42	25.0	25.0	50.0
3/8"	23	23	46	29.0	33.0	58.0
1/2"	28	28	56	33.0	38.0	66.0
3/4"	33	34	66	38.0	46.0	76.0
1"	38	42	76	44.0	56.0	88.0
1 1/4"	45	52	90	51.0	62.0	102.0
1 1/2"	50	57	100	60.0	75.0	120.0
2"	58	70	116	64.0	84.0	128.0
2 1/2"	65	86	130	83.0	102.0	166.0
3"	80	100	160	95.0	121.0	190.0
4"	97	125	194	114.0	152.0	228.0

> 3000LBS fittings also available as Socket Weld



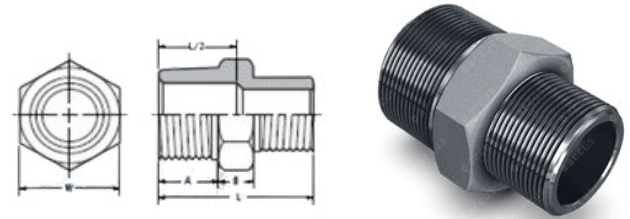
CROSS / KRUISSTUK / KREUZSTÜCK / CROIX

NOMINAL PIPE SIZE	BSP - 150LBS	
	A	B
	mm	mm
1/8"	38	15
1/4"	42	21
3/8"	50	25
1/2"	56	31
3/4"	66	37
1"	76	45
1 1/4"	90	55
1 1/2"	100	62
2"	116	75
2 1/2"	138	90
3"	160	106
4"	194	134



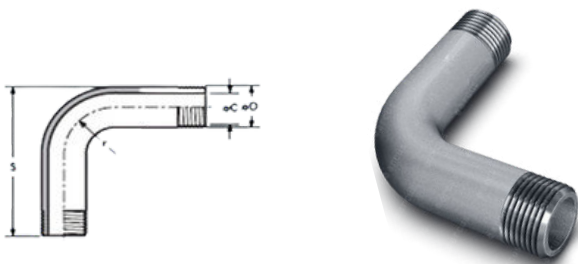
HEXAGON NIPPLE / ZESKANT NIPPEL / 6 KANT DOPPELNIPPEL / NIPPLE HEXAGONAL

NOMINAL PIPE SIZE	BSP - 150LBS				NPT - 3000LBS			
	W	H	S	L	W	H	S	L
	mm	mm	mm	mm	mm	mm	mm	mm
1/8"	4	85	13,3	30.0	6	10	11	26
1/4"	4	12	15,2	32.0	6	15	15	36
3/8"	5	12	18,5	32.0	8	16	18	40
1/2"	5	15,5	23	42.0	8	20	22	48
3/4"	11	17	30	43.5	10	21	27	52
1"	11	20	35	50.0	10	25	35	60
1 1/4"	13	21	44	51.5	-	-	-	-
1 1/2"	14	22	49,5	51.5	16	26	50	68
2"	15	25	62	54.5	17	27	62	71
2 1/2"	10	27,5	78	63.0	-	-	-	-
3"	10	31	91	68.0	-	-	-	-
4"	10,5	37	117.0	75.0	-	-	-	-



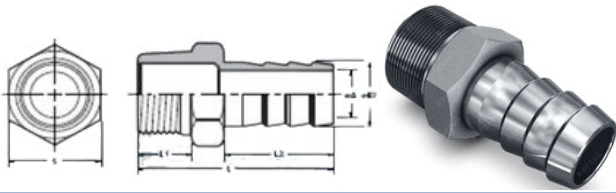
RED HEX NIPPLE / VERLOOP NIPPEL / 6-KANT DOPPELNIPPEL / NIPPLE DE REDUCTION

NOMINAL PIPE SIZE		BSP - 150LBS				NPT - 3000LBS			
		A	B	L	W	A	B	L	W
		mm	mm	mm	mm	mm	mm	mm	mm
1/4"	1/8"	12.0	7.0	31	17	15.0	5.0	31.0	15.0
3/8"	1/8"	14	7.0	34	19	-	-	-	-
	1/4"	16	7.0	35	19	16.0	8.0	39.0	18.0
1/2"	1/8"	16.0	7.0	36	23	-	-	-	-
	1/4"	16.0	7.0	38	23	20.0	8.0	43.0	22.0
	3/8"	16.0	7.0	38	23	20.0	8.0	44.0	22.0
3/4"	1/8"	17	8	37	29	-	-	-	-
	1/4"	17	8	37	29	-	-	-	-
	3/8"	17	8	41	29	21.0	9.0	46.0	27.0
1"	1/2"	17	8	41	29	21.0	9.0	50.0	27.0
	1/4"	20.0	9.0	42	36	-	-	-	-
	3/8"	20.0	9.0	44	36	-	-	-	-
1 1/4"	1/2"	20.0	9.0	46	36	25.0	10.0	55.0	35.0
	3/4"	20.0	9.0	47	36	25.0	10.0	56.0	35.0
	1/4"	20.0	10.0	42	46	-	-	-	-
	3/8"	20.0	10.0	43	46	-	-	-	-
	1/2"	20.0	10.0	48	46	-	-	-	-
1 1/2"	3/4"	20.0	10.0	51	46	-	-	-	-
	1"	20.0	10.0	53	46	-	-	-	-
	1/4"	20.0	10.5	42.5	54	-	-	-	-
	3/8"	20.0	10.5	43.5	54	-	-	-	-
	1/2"	20.0	10.5	50	54	26.0	16.0	62.0	50.0
2"	3/4"	20.0	10.5	50	54	26.0	16.0	63.0	50.0
	1"	20.0	10.5	55	54	26.0	16.0	67.0	50.0
	1 1/4"	20.0	10.5	55	54	-	-	-	-
	3/8"	27	12.5	45	65	-	-	-	-
	1/2"	27	12.5	55	65	27.0	18.0	65.0	62.0
	3/4"	27	12.5	58	65	27.0	17.0	65.0	62.0
2 1/2"	1"	27	12.5	60	65	27.0	18.0	70.0	62.0
	1 1/4"	27	12.5	63	65	-	-	-	-
	1 1/2"	27	12.5	64	65	27.0	17.0	70.0	62.0
	3/4"	33	14	52.5	80	-	-	-	-
3"	1"	33	14	56.5	80	-	-	-	-
	1 1/4"	33	14	70	80	-	-	-	-
	1 1/2"	33	14	71	80	-	-	-	-
4"	2"	33	14	74	80	-	-	-	-
	1 1/2"	33	14	73	92	-	-	-	-
	2"	35	14	76	92	-	-	-	-
4"	2 1/2"	35	14	81	92	-	-	-	-
	2"	41	14	83	117	-	-	-	-
	2 1/2"	41	14	90	117	-	-	-	-
4"	3"	41	14	90	117	-	-	-	-



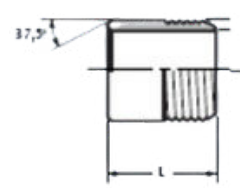
SCREWED BEND / DRAADBOCHT / GEWINDEKRÜMER / COUDE FILETE

NOMINAL PIPE SIZE	BSP - 150LBS			
	D	S	R	C
	mm	mm	mm	mm
1/8"	10.2	50.0	30.0	6.0
1/4"	13.5	66.5	40.0	8.0
3/8"	17.1	78.5	45.0	10.0
1/2"	21.3	90.5	55.0	15.0
3/4"	26.7	113.5	70.0	20.0
1"	33.4	136.5	80.0	25.0
1 1/4"	42.1	161	105.0	32.0
1 1/2"	48.3	184	115.0	40.0
2"	60.3	220	125.0	50.0



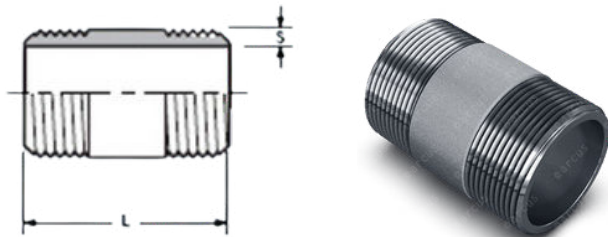
HOSE NIPPLE / SLANGPILAAR / SCHLAUCH TUELLE / NIPPLE DE RACCORD FLEXIBLE

NOMINAL PIPE SIZE	BSP - 150LBS					
	A	B	L1	L2	L	S
	mm	mm	mm	mm	mm	mm
1/8"	3.0	6.0	10.0	20	35	10
1/4"	3.5	8.0	12	23	40	14
3/8"	5.5	10.0	14	24	45	19
1/2"	9.5	15.0	16	36	60	23
3/4"	14	20.0	16	31.5	55	29
1"	18.5	25.0	18	43	70	38
1 1/4"	25	32.0	21	50	81	46
1 1/2"	31.5	40.0	22	62	95	52
2"	41	52	27	62	100	63
2 1/2"	53.5	63	32	65	109	79
3"	65.5	76	35	72	120	92
4"	97	105	41	92	150	116



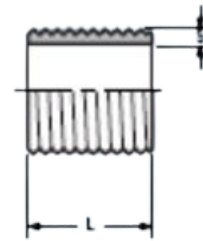
WELD NIPPLE O.E.T. / LASNIPPEL / ANSCHWEISSNIPPEL / MAMELON A SOUDER

NOMINAL PIPE SIZE	BSP - 150LBS		NPT - 3000LBS	
	S	L	S	L
	mm	mm	mm	mm
1/8"	2	30.0	2.4	101.6
1/4"	2.2	30.0	3.0	101.6
3/8"	2.3	30.0	3.2	101.6
1/2"	2.7	35.0	3.7	101.6
3/4"	2.8	40.0	3.9	101.6
1"	3.3	40.0	4.5	101.6
1 1/4"	3.5	50.0	4.8	101.6
1 1/2"	3.6	50.0	5.0	101.6
2"	3.9	50.0	5.5	101.6
2 1/2"	4.0	60.0	7.0	101.6
3"	5.4	70.0	7.6	101.6
4"	6.0	80.0	8.5	101.6



NIPPLE B.E.T. / DUBBELE PIJPNIPPEL / ROHRDOPPELNIPPEL / MAMELON DOUBLE

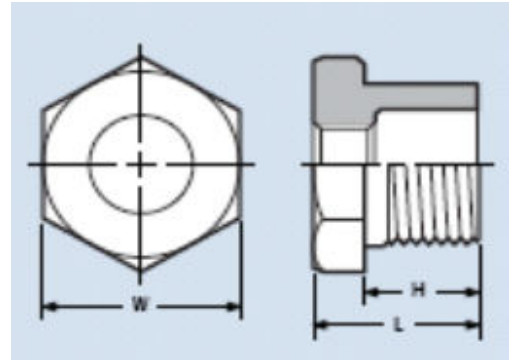
NOMINAL PIPE SIZE	BSP - 150LBS		NPT - 3000LBS	
	S	L	S	L
	mm	mm	mm	mm
1/8"	2.0	40.0	2.4	101.6
1/4"	2.2	40.0	3.0	101.6
3/8"	2.3	40.0	3.2	101.6
1/2"	2.7	60.0	3.7	101.6
3/4"	2.8	60.0	3.9	101.6
1"	3.3	60.0	4.5	101.6
1 1/4"	3.5	80.0	4.8	101.6
1 1/2"	3.6	80.0	5.0	101.6
2"	3.9	100.0	5.5	101.6
2 1/2"	4.0	100.0	7.0	101.6
3"	5.4	120.0	7.6	101.6
4"	6.0	120.0	8.5	101.6

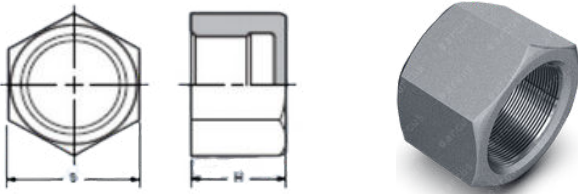


THREADED NIPPLE / DRAADNIPPEL / ROHRNIPPEL / MAMELON SIMPLE

NOMINAL PIPE SIZE	BSP - 150LBS	
	S	L
	mm	mm
1/8"	1.7	16.0
1/4"	2.0	18.0
3/8"	2.1	22.0
1/2"	2.4	25.0
3/4"	2.5	30.0
1"	2.8	35.0
1 1/4"	2.8	38.0
1 1/2"	2.8	38.0
2"	2.8	45.0
2 1/2"	3.3	55.0
3"	3.8	60.0
4"	4.3	70.0

BUSHING / VERLOOP RING / RED. STUECK / REDUCTION M-F							
NOMINAL PIPE SIZE		BSP - 150LBS			NPT - 6000LBS		
		H	L	W	H	L	W
		mm	mm	mm	mm	mm	mm
1/4"	1/8"	13.0	19.0	16.0	-	-	-
3/8"	1/8"	13.0	19.0	19.0	-	-	-
	1/4"	13.0	19.0	19.0	13.0	18.0	4.0
1/2"	1/8"	14.5	22.0	23.0	-	-	-
	1/4"	14.5	22.0	23.0	14.0	22.0	5.0
	3/8"	15	22.0	26.0	14.0	22.0	5.0
3/4"	1/8"	19	26.0	26.0	-	-	-
	1/4"	19	26.0	26.0	16.0	27.0	6.0
	3/8"	19	26.0	26.0	-	-	-
	1/2"	19	26.0	26.0	16.0	27.0	6.0
1"	1/8"	20.0	28.0	36.0	-	-	-
	1/4"	20.0	28.0	36.0	19.0	36.0	6.0
	3/8"	20.0	28.0	36.0	-	-	-
	1/2"	20.0	28.0	36.0	19.0	36.0	6.0
	3/4"	20.0	28.0	36.0	19.0	36.0	6.0
1 1/4"	1/8"	20.0	33.0	46.0	-	-	-
	1/4"	20.0	33.0	46.0	-	-	-
	3/8"	20.0	33.0	46.0	-	-	-
	1/2"	20.0	33.0	46.0	-	-	-
	3/4"	20.0	33.0	46.0	-	-	-
	1"	20.0	33.0	46.0	21.0	46.0	7.0
1 1/2"	1/4"	21.0	35.0	50.0	-	-	-
	3/8"	21.0	35.0	50.0	-	-	-
	1/2"	21.0	35.0	50.0	21.0	50.0	8.0
	3/4"	21.0	35.0	50.0	21.0	50.0	8.0
	1"	21.0	35.0	50.0	21.0	50.0	8.0
	1 1/4"	21.0	35.0	50.0	-	-	-
2"	1/4"	26.0	39.0	65.0	-	-	-
	3/8"	26.0	39.0	65.0	-	-	-
	1/2"	26.0	39.0	65.0	-	-	-
	3/4"	26.0	39.0	65.0	-	-	-
	1"	26.0	39.0	65.0	22.0	65.0	9.0
	1 1/4"	26.0	39.0	65.0	-	-	-
	1 1/2"	26.0	39.0	65.0	22.0	65.0	9.0
2 1/2"	1/2"	33.0	46.0	80.0	-	-	-
	3/4"	33.0	46.0	80.0	-	-	-
	1"	33.0	46.0	80.0	-	-	-
	1 1/4"	33.0	46.0	80.0	-	-	-
	1 1/2"	33.0	46.0	80.0	-	-	-
	2"	33.0	46.0	80.0	27.0	75.0	10.0
3"	1/2"	34.5	48.0	92.0	-	-	-
	3/4"	34.5	48.0	92.0	-	-	-
	1"	34.5	48.0	92.0	-	-	-
	1 1/4"	34.5	48.0	92.0	-	-	-
	1 1/2"	34.5	48.0	92.0	-	-	-
	2"	34.5	48.0	92.0	28.0	90.0	10.0
	2 1/2"	34.5	48.0	92.0	-	-	-
4"	1/2"	41.0	54.0	117.0	-	-	-
	3/4"	41.0	54.0	117.0	-	-	-
	1"	41.0	54.0	117.0	-	-	-
	1 1/4"	41.0	54.0	117.0	-	-	-
	1 1/2"	41.0	54.0	117.0	-	-	-
	2"	41.0	54.0	117.0	32.0	115.0	13.0
	2 1/2"	41.0	54.0	117.0	-	-	-
	3"	41.0	54.0	117.0	32.0	115.0	13.0





HEX. CAP / ZESKANT KAP / SECHSKANTKAPPE / BONNET HEX.

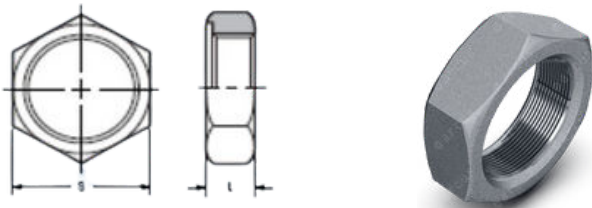
NOMINAL PIPE SIZE	BSP - 150LBS	
	H	S
	mm	mm
1/8"	13.0	15.0
1/4"	15.0	18.0
3/8"	18.5	22.0
1/2"	22.0	26.0
3/4"	25.0	32.0
1"	28.0	39.0
1 1/4"	30.0	48.0
1 1/2"	31.0	54.0
2"	36.0	69.0
2 1/2"	41.0	84.0
3"	44.0	99.0
4"	50.0	125.0



ENDCAP ROUND / EINDKAP ROND / RUNDKAPPE / BONNET

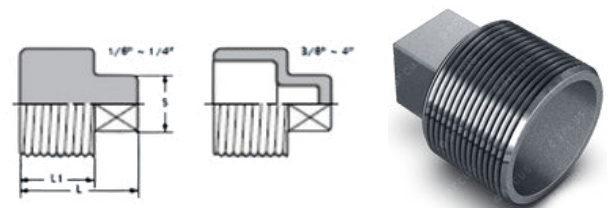
NOMINAL PIPE SIZE	BSP - 150LBS		NPT - 3000LBS	
	A	C	A	C
	mm	mm	mm	mm
1/8"	16.0	17.0	-	-
1/4"	19.0	17.0	19.0	25.0
3/8"	23.0	21.0	22.0	25.0
1/2"	29.0	23.0	28.0	32.0
3/4"	34.0	27.0	35.0	37.0
1"	42.0	29.0	44.0	41.0
1 1/4"	51.0	30.0	57.0	44.0
1 1/2"	58.0	41.0	64.0	44.0
2"	70.5	45.0	76.0	48.0
2 1/2"	83.0	41.0	92.0	60.0
3"	100.0	57.0	108.0	65.0
4"	127.5	63.0	140.0	68.0

> 3000LBS fitting also available as Socket Weld



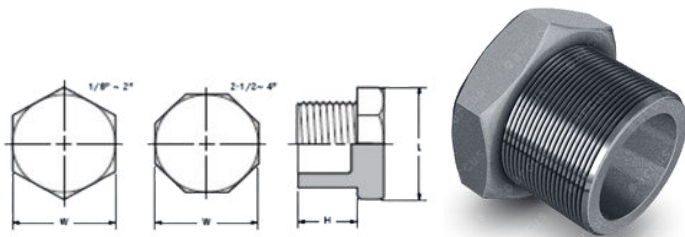
HEX. NUT / ZESKANT / 6 KANT-MUTTERN / ECROU HEX.

NOMINAL PIPE SIZE	BSP - 150LBS	
	L	S
	mm	mm
1/8"	6.0	19.0
1/4"	6.0	22.0
3/8"	7.0	27.0
1/2"	8.0	30.0
3/4"	9.0	37.0
1"	10.0	46.0
1 1/4"	11.0	55.0
1 1/2"	12.0	60.0
2"	13.0	76.0
2 1/2"	16.0	95.0
3"	19.0	105.0
4"	22.0	135.0



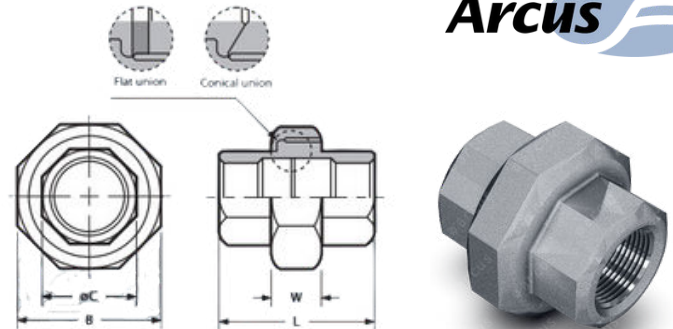
SQARE PLUG / VIERKANT STOP / 4-KANT STOPF / BOUCHON A TETE CARRE

NOMINAL PIPE SIZE	BSP - 150LBS		
	L1	L	S
	mm	mm	mm
1/8"	10.0	15.0	7.0
1/4"	12.0	18.0	9.0
3/8"	13.0	20.0	12.0
1/2"	15.0	22.0	14.0
3/4"	16.5	28.0	16.0
1"	20.0	32.0	19.0
1 1/4"	21.0	36.0	23.0
1 1/2"	25.0	39.0	26.0
2"	28.0	45.0	32.0
2 1/2"	29.0	46.0	42.0
3"	31.0	49.0	46.0
4"	39.0	57.0	58.0



HEX. PLUG / ZESKANT PLUG / 6KANT-STOPF / BOUCHON A TETE HEX.

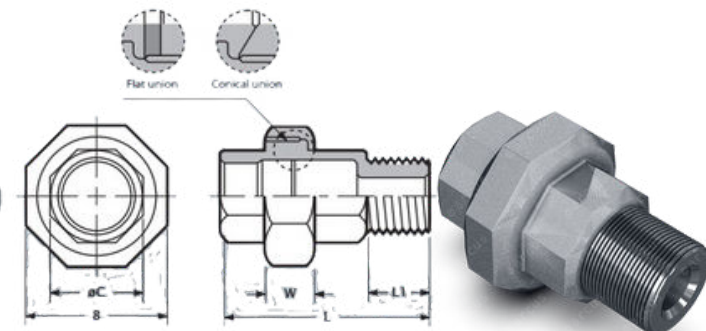
NOMINAL PIPE SIZE	BSP - 150LBS			NPT - 6000LBS		
	H	L	W	H	L	W
	mm	mm	mm	mm	mm	mm
1/8"	7.5	13.0	10.0	-	-	-
1/4"	10.0	16.0	14.0	11.0	17.0	16.0
3/8"	10.5	16.0	19.0	13.0	21.0	18.0
1/2"	14.0	20.0	24.0	14.0	22.0	22.0
3/4"	16.0	23.0	28.0	16.0	26.0	27.0
1"	17.0	25.0	36.0	19.0	29.0	36.0
1 1/4"	19.0	28.0	46.0	21.0	35.0	46.0
1 1/2"	21.0	32.0	50.0	21.0	37.0	50.0
2"	25.0	35.0	64.5	22.0	40.0	65.0
2 1/2"	30.0	46.0	81.0	27.0	46.0	76.0
3"	35.5	49.0	92.0	28.0	49.0	90.0
4"	41.5	54.0	117.0	32.0	57.0	115.0



UNION CONICLE-FLATSEALING / KOPPELING CONISCH-VLAKDICHTEND / VERSCHRAUBUNG KONISCH-FLACHDICHTEND / RACCORD UNION CONIQUE-JOINT TEFLON

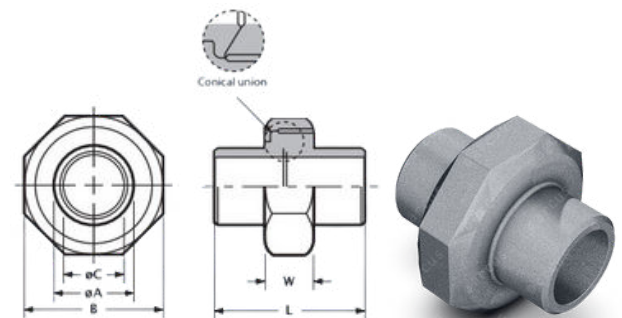
NOMINAL PIPE SIZE	BSP - 150LBS				NPT - 3000LBS	
	L	C	B	W	L	B
	mm	mm	mm	mm	mm	mm
1/8"	38.5	17.0	25.0	12.7	-	-
1/4"	38.5	18.5	30.0	15.5	45.0	36.0
3/8"	45.0	21.5	35.0	14.0	51.0	41.0
1/2"	42.0	26.5	42.0	17.0	52.0	46.0
3/4"	52.0	32.0	46.0	19.0	57.0	56.0
1"	58.0	38.0	53.0	20.0	63.0	65.0
1 1/4"	64.0	47.0	67.0	22.5	66.0	80.0
1 1/2"	70.0	53.0	72.0	24.0	78.0	87.0
2"	78.0	65.0	89.0	26.0	91.0	100.0
2 1/2"	85.0	82.0	106.0	27.0	118.0	125.0
3"	95.0	96.0	119.0	29.0	120.0	144.0
4"	110.0	122.0	153.5	33.5	148.0	200.0

> 3000LBS fitting also available as Socket Weld



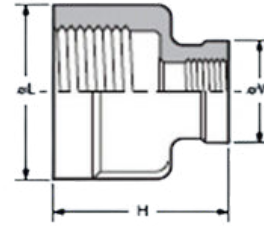
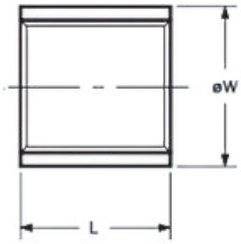
UNION M-F CONICLE-FLATSEALING / KOPPELING BI-BU CONISCH-VLAKDICHTEND / VERSCHRAUBUNG I-A KONISCH-FLACHDICHTEND / RACCORD UNION I-E CONIQUE-JOINT TEFLON

NOMINAL PIPE SIZE	BSP - 150LBS					NPT - 3000LBS	
	L	L1	C	B	W	L	B
	mm	mm	mm	mm	mm	mm	mm
1/8"	51.0	10.0	17.0	25.0	12.7	-	-
1/4"	50.0	11.5	18.0	30.0	15.5	61.0	36.0
3/8"	58.0	13.0	21.5	35.5	14.0	69.0	41.0
1/2"	58.0	16.5	27.0	42.0	17.0	75.0	46.0
3/4"	70.0	18.0	32.0	46.0	19.0	80.0	56.0
1"	79.0	21.0	38.0	53.0	20.0	90.0	65.0
1 1/4"	88.0	24.0	47.0	67.0	22.5	98.0	80.0
1 1/2"	94.0	24.0	53.0	72.0	24.0	100.0	87.0
2"	106.0	28.0	65.0	89.0	26.0	120.0	100.0
2 1/2"	117.0	32.0	82.0	106.0	27.0	-	-
3"	130.0	35.0	96.0	119.0	29.0	-	-
4"	156.0	36.0	122.0	153.5	33.5	-	-



UNION FOR WELDING CONICLE / LASKOPPELING CONISCH / VORSCHWEISSVERSCHRAUBUNG KON. / RACCORD A SOUDER CONIQUE

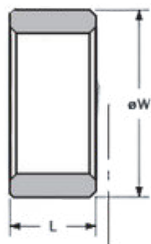
NOMINAL PIPE SIZE	BSP - 150LBS				
	L	A	B	C	W
	mm	mm	mm	mm	mm
1/8"	30.0	10.2	25.0	8.0	12.7
1/4"	33.0	13.5	30.0	8.9	15.5
3/8"	38.0	17.3	35.0	12.8	14.0
1/2"	41.0	21.4	42.0	16.0	17.0
3/4"	43.0	27.0	46.0	21.5	19.0
1"	51.0	33.7	53.0	27.5	20.0
1 1/4"	53.0	42.7	69.0	35.5	22.5
1 1/2"	58.0	48.5	72.0	41.5	24.0
2"	66.0	60.5	89.0	52.5	26.0
2 1/2"	83.0	76.0	106.0	67.0	27.0
3"	92.0	89.0	119.0	79.0	29.0



FULL COUPLING / SOK / MUFFEN / MANCHON

NOMINAL PIPE SIZE	BSP - 150LBS		NPT - 3000LBS	
	L	W	L	W
	mm	mm	mm	mm
1/8"	17.0	14.0	-	-
1/4"	25.0	19.0	35.0	19.0
3/8"	26.0	22.0	38.0	22.0
1/2"	34.0	27.0	48.0	28.0
3/4"	36.0	32.5	51.0	35.0
1"	43.0	40.0	60.0	44.0
1 1/4"	48.0	48.0	67.0	57.0
1 1/2"	48.0	55.0	79.0	64.0
2"	56.0	67.0	86.0	76.0
2 1/2"	65.0	82.0	92.0	92.0
3"	71.0	95.0	108.0	108.0
4"	83.0	122.0	121.0	140.0

> 3000LBS fitting also available as Socket Weld



HALF COUPLING /KORTE LASSOK / HALBE MUFFE /
DEMI-MANCHON

NOMINAL PIPE SIZE	BSP - 150LBS		NPT - 3000LBS	
	L	W	L	W
	mm	mm	mm	mm
1/8"	9.0	14.0	-	-
1/4"	11.0	19.0	17.5	19.0
3/8"	12.0	22.0	19.0	22.0
1/2"	15.0	27.0	24.0	28.0
3/4"	17.0	32.5	25.5	35.0
1"	19.0	40.0	30.0	44.0
1 1/4"	22.0	48.0	33.5	57.0
1 1/2"	22.0	55.0	39.5	64.0
2"	26.0	67.0	43.0	76.0
2 1/2"	30.0	82.0	46.0	92.0
3"	33.0	95.0	54.0	108.0
4"	39.0	122.0	60.5	140.0

> 3000LBS fittings also available as Socket Weld

REDUCING SOCKET / VERLOOP SOK / REDUZIER MUFFE /
MANCHON DE REDUCTION

NOMINAL PIPE SIZE		BSP - 150LBS			NPT - 3000LBS	
		L	H	W	L	H
		mm	mm	mm	mm	mm
1/4"	1/8"	21.0	27.0	19.0	-	-
	1/4"	25.5	30.0	19.0	-	-
3/8"	1/4"	25.5	30.0	21.0	22.0	38.0
	1/2"	28.0	33.0	19.0	-	-
1/2"	1/4"	28.0	36.0	19.0	28.0	48.0
	3/8"	28.0	36.0	23.0	28.0	48.0
	1/2"	28.0	36.0	23.0	28.0	48.0
3/4"	1/8"	34.0	39.0	18.5	-	-
	1/4"	34.0	39.0	21.0	35.0	51.0
	3/8"	34.0	39.0	23.0	-	-
1"	1/2"	34.0	39.0	27.5	35.0	51.0
	1/8"	41.5	40.0	19.5	-	-
	1/4"	41.5	42.0	21.0	45.0	60.0
	3/8"	41.5	45.0	23.0	-	-
1 1/4"	1/2"	41.5	45.0	28.0	45.0	60.0
	3/4"	41.5	45.0	34.0	45.0	60.0
	1/8"	51.0	42.0	22.0	-	-
	1/4"	51.0	42.0	22.0	-	-
	3/8"	51.0	42.0	22.0	-	-
1 1/2"	1/2"	51.0	51.0	28.0	-	-
	3/4"	51.0	51.0	34.0	-	-
	1"	51.0	51.0	42.0	57.0	67.0
	1/8"	56.0	43.5	22.0	-	-
	1/4"	56.0	43.5	22.0	-	-
	3/8"	56.0	47.5	22.0	-	-
2"	1/2"	56.0	55.0	28.0	64.0	79.0
	3/4"	56.0	55.0	34.0	64.0	79.0
	1"	56.0	55.0	42.0	64.0	79.0
	1 1/4"	56.0	55.0	51.0	-	-
	1/4"	70.0	65.0	22.0	-	-
2 1/2"	3/8"	70.0	65.0	22.0	-	-
	1/2"	70.0	65.0	31.0	-	-
	3/4"	70.0	65.0	37.0	-	-
	1"	70.0	65.0	42.0	76.0	86.0
	1 1/4"	70.0	65.0	51.0	-	-
3"	1 1/2"	70.0	65.0	56.0	76.0	86.0
	1"	90.0	83.0	42.0	-	-
	1 1/4"	90.0	83.0	54.0	-	-
	1 1/2"	90.0	83.0	62.0	-	-
	2	90.0	83.0	75.0	92.0	92.0
4"	3/4"	101.0	92.0	37.0	-	-
	1"	101.0	92.0	42.0	-	-
	1 1/4"	103.0	92.0	54.0	-	-
	1 1/2"	105.0	92.0	62.0	-	-
	2"	105.0	95.0	75.0	108.0	108.0
4"	2 1/2"	105.0	95.0	90.0	-	-
	2"	128.5	111.0	75.0	140.0	121.0
	2 1/2"	128.5	111.0	88.0	-	-
3"	130.0	111.0	105.0	140.0	121.0	