



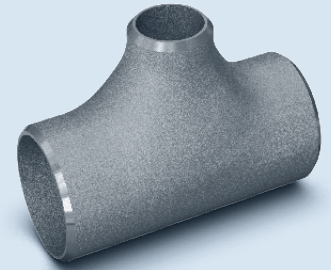
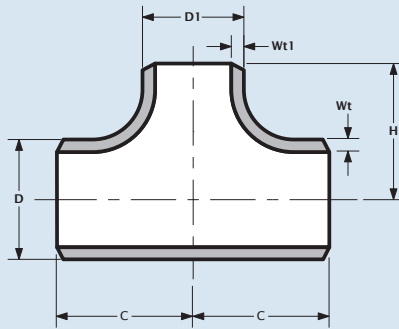
# Verloop T-stuk

## Reducing tee

### Té réduit

### Reduzier T-stück

ASTM/ASME A/SA403



Tee		Outside diameter		Centre to end	Height	sch10s			sch40s/STD			sch80s/XS			sch160			schXXS		
NPS	NPS	D	DI	C	H	Wt	Wt1	kg/pc	Wt	Wt1	kg/pc	Wt	Wt1	kg/pc	Wt	Wt1	kg/pc	Wt	Wt1	kg/pc
3/4"	1/2"	26.70	21.34	29	29	2.11	2.11	0.15	2.87	2.77	0.20	3.91	3.73	0.27	5.54	4.75	0.38	7.82	7.47	0.38
1"	1/2"	33.40	21.34	38	38	2.77	2.11	0.29	3.38	2.77	0.35	4.55	3.73	0.47	6.35	4.75	0.66	9.09	7.47	0.65
1"	3/4"	33.40	26.97	38	38	2.77	2.11	0.29	3.38	2.87	0.35	4.55	3.91	0.47	6.35	5.54	0.66	9.09	7.82	0.65
1 1/4"	1/2"	42.16	21.34	48	48	2.77	2.11	0.45	3.56	2.77	0.58	4.85	3.73	0.79	6.35	4.75	1.03	9.70	7.47	1.18
1 1/4"	3/4"	42.16	26.67	48	48	2.77	2.11	0.45	3.56	2.87	0.58	4.85	3.91	0.79	6.35	5.54	1.03	9.70	7.82	1.18
1 1/4"	1"	42.16	33.40	48	48	2.77	2.77	0.45	3.56	3.38	0.58	4.85	4.55	0.79	6.35	6.35	1.03	9.70	9.09	1.18
1 1/2"	1/2"	48.26	21.34	57	57	2.77	2.11	0.60	3.68	2.77	0.80	5.08	3.73	1.10	7.14	4.75	1.55	10.16	7.47	2.54
1 1/2"	3/4"	48.26	26.67	57	57	2.77	2.11	0.60	3.68	2.87	0.80	5.08	3.91	1.10	7.14	5.54	1.55	10.16	7.82	2.54
1 1/2"	1"	48.26	33.40	57	57	2.77	2.77	0.60	3.68	3.38	0.80	5.08	4.55	1.10	7.14	6.35	1.55	10.16	9.09	2.54
1 1/2"	1 1/4"	48.26	42.16	57	57	2.77	2.77	0.60	3.68	3.56	0.80	5.08	4.85	1.10	7.14	6.35	1.55	10.16	9.70	2.54
2"	3/4"	60.33	26.67	64	44	2.77	2.11	0.80	3.91	2.87	1.13	5.54	3.91	1.60	8.71	5.54	2.52	11.07	7.82	4.00
2"	1"	60.33	33.40	64	51	2.77	2.77	0.80	3.91	3.38	1.13	5.54	4.55	1.60	8.71	6.35	2.52	11.07	9.09	4.00
2"	1 1/4"	60.33	42.16	64	57	2.77	2.77	0.80	3.91	3.56	1.13	5.54	4.85	1.60	8.71	6.35	2.52	11.07	9.70	4.00
2"	1 1/2"	60.33	48.26	64	60	2.77	2.77	0.80	3.91	3.68	1.13	5.54	5.08	1.60	8.71	7.14	2.52	11.07	10.16	4.00
2 1/2"	1"	73.03	33.40	76	57	3.05	2.77	1.16	5.16	3.38	1.96	7.01	4.55	2.66	9.53	6.35	3.62	14.02	9.09	4.00
2 1/2"	1 1/4"	73.03	42.16	76	64	3.05	2.77	1.16	5.16	3.56	1.96	7.01	4.85	2.66	9.53	6.35	3.62	14.02	9.70	4.15
2 1/2"	1 1/2"	73.03	48.26	76	67	3.05	2.77	1.16	5.16	3.68	1.96	7.01	5.08	2.66	9.53	7.14	3.62	14.02	10.16	4.15
2 1/2"	2"	73.03	60.30	76	70	3.05	2.77	1.16	5.16	3.91	1.96	7.01	5.54	2.66	9.53	8.71	3.62	14.02	11.07	4.15
3"	1"	88.90	33.40	86	67	3.05	2.77	1.60	5.49	3.38	2.88	7.62	4.55	4.00	11.13	6.35	5.84	15.24	9.09	6.25
3"	1 1/4"	88.90	42.26	86	70	3.05	2.77	1.60	5.49	3.56	2.88	7.62	4.85	4.00	11.13	6.35	5.84	15.24	9.70	6.25
3"	1 1/2"	88.90	48.26	86	73	3.05	2.77	1.60	5.49	3.68	2.88	7.62	5.08	4.00	11.13	7.14	5.84	15.24	10.16	6.30
3"	2"	88.90	60.30	86	76	3.05	2.77	1.60	5.49	3.91	2.88	7.62	5.54	4.00	11.13	8.71	5.84	15.24	11.07	6.35
3"	2 1/2"	88.90	73.03	86	83	3.05	3.05	1.60	5.49	5.16	2.88	7.62	7.01	4.00	11.13	9.53	5.84	15.24	14.02	6.60
3 1/2"	2"	101.60	60.30	95	83	3.05	2.77	2.20	5.74	3.91	4.14	8.08	5.54	5.83	-	-	-	16.15	11.07	6.40
3 1/2"	2 1/2"	101.60	73.03	95	89	3.05	3.05	2.20	5.74	5.16	4.14	8.08	7.01	5.83	-	-	-	16.15	14.02	6.90
3 1/2"	3"	101.60	88.90	95	92	3.05	3.05	2.20	5.74	5.49	4.14	8.08	7.62	5.83	-	-	-	16.15	15.24	8.34
4"	1 1/2"	114.30	48.26	105	86	3.05	2.77	2.55	6.02	3.68	5.03	8.56	5.08	7.15	13.49	7.14	11.27	17.12	10.16	14.50
4"	2"	114.30	60.30	105	89	3.05	2.77	2.55	6.02	3.91	5.03	8.56	5.54	7.15	13.49	8.71	11.27	17.12	11.07	14.50
4"	2 1/2"	114.30	73.03	105	95	3.05	3.05	2.55	6.02	5.16	5.03	8.56	7.01	7.15	13.49	9.53	11.27	17.12	14.02	14.50
4"	3"	114.30	88.90	105	98	3.05	3.05	2.55	6.02	5.49	5.03	8.56	7.62	7.15	13.49	11.13	11.27	17.12	15.24	14.50
4"	3 1/2"	114.30	101.60	105	102	3.05	3.05	2.55	6.02	5.74	5.03	8.56	8.08	7.15	-	-	-	17.12	16.15	14.50
5"	3"	141.30	88.90	124	111	3.40	3.05	4.00	6.55	5.49	7.71	9.53	7.62	11.22	15.88	11.13	18.70	19.05	15.24	27.71
5"	3 1/2"	141.30	101.60	124	114	3.40	3.05	4.00	6.55	5.74	7.71	9.53	8.08	11.22	-	-	-	19.05	16.15	27.71
5"	4"	141.30	114.30	124	117	3.40	3.05	4.00	6.55	6.02	7.71	9.53	8.56	11.22	15.88	13.49	18.70	19.05	17.12	27.71
6"	3"	168.28	88.9	143	124	3.40	3.05	5.50	7.11	5.49	11.50	10.97	7.62	17.74	18.24	11.13	29.50	21.95	15.24	37.25
6"	3 1/2"	168.28	101.60	143	127	3.40	3.05	5.50	7.11	5.74	11.50	10.97	8.08	17.74	-	-	-	21.95	16.15	37.25
6"	4"	168.28	114.30	143	130	3.40	3.05	5.50	7.11	6.02	11.50	10.97	8.56	17.74	18.24	13.49	29.50	21.95	17.12	37.25
6"	5"	168.28	141.30	143	137	3.40	3.40	5.50	7.11	6.55	11.50	10.97	9.53	17.74	18.24	15.88	29.50	21.95	19.05	47.48
8"	4"	219.08	114.30	178	156	3.76	3.05	9.50	8.18	6.02	20.67	12.70	8.56	32.09	23.01	13.49	58.14	22.23	17.12	55.20
8"	5"	219.08	141.30	178	162	3.76	3.40	9.50	8.18	6.55	20.67	12.70	9.53	32.09	23.01	15.88	58.14	22.23	19.05	56.50
8"	6"	219.08	168.28	178	168	3.76	3.40	9.50	8.18	7.11	20.67	12.70	10.7	32.09	23.01	18.24	58.14	22.23	21.95	57.80
10"	5"	273.05	141.30	216	191	4.19	3.40	17.50	9.27	6.55	38.72	12.70	9.53	53.05	28.58	15.88	119.38	25.40	19.05	79.30
10"	6"	273.05	168.28	216	194	4.19	3.40	17.50	9.27	7.11	38.72	12.70	10.97	53.05	28.58	18.24	119.38	25.40	21.95	90.93
10"	8"	273.05	219.10	216	203	4.19	3.76	17.50	9.27	8.18	38.72	12.70	12.70	53.05	28.58	23.01	119.38	25.40	22.23	98.50
12"	6"	323.85	168.28	254	219	4.57	3.40	25.00	9.53	7.11	52.13	12.70	10.97	69.47	33.32	18.24	182.26	25.40	21.95	125.40

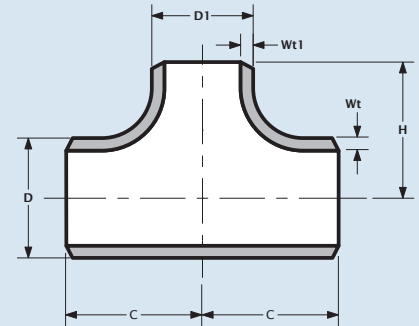
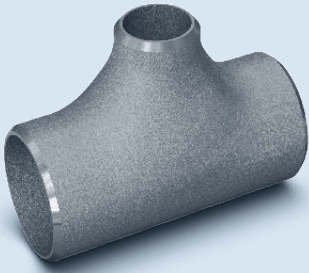
continued on next page

Verloop T-stuk  
Reducing tee  
Té réduit  
Reduzier T-stück



3/4" - 40" = ASME B16.9

ASTM/ASME A/SA403



Tee (continued from previous page)

Nominal Pipe Size		Outside Diameter		Centre to end C	Height H	sch10s			sch40s			sch80s			sch160s			schXXS		
NPS	NPS	D	DI			Wt	Wt1	kg/pc	Wt	Wt1	kg/pc	Wt	Wt1	kg/pc	Wt	Wt1	kg/pc	Wt	Wt1	kg/pc
12"	8"	323.85	219.08	254	229	4.57	3.76	25.00	9.53	8.18	52.13	12.70	12.70	69.47	33.32	23.01	182.26	25.40	22.23	128.40
12"	10"	323.85	273.05	254	241	4.57	4.19	25.00	9.53	9.27	52.13	12.70	12.70	69.47	33.32	28.58	182.26	25.40	25.40	130.40
14"	8"	355.60	219.08	279	248	4.78	3.76	32.00	9.53	8.18	63.80	12.70	12.70	85.02	35.71	23.01	239.06	-	-	-
14"	10"	355.60	273.05	279	257	4.78	4.19	32.00	9.53	9.27	63.80	12.70	12.70	85.02	35.71	28.58	239.06	-	-	-
14"	12"	355.60	323.85	279	270	4.78	4.57	32.00	9.53	9.53	63.80	12.70	12.70	85.02	35.71	33.32	239.06	-	-	-
16"	10"	406.40	273.05	305	283	4.78	4.19	40.00	9.53	9.27	79.75	12.70	12.70	106.28	40.46	28.58	338.59	-	-	-
16"	12"	406.40	323.85	305	295	4.78	4.57	40.00	9.53	9.53	79.75	12.70	12.70	106.28	40.46	33.32	338.59	-	-	-
16"	14"	406.40	355.60	305	305	4.78	4.78	40.00	9.53	9.53	79.75	12.70	12.70	106.28	40.46	35.71	338.59	-	-	-
18"	12"	457.20	323.85	343	321	4.78	4.57	50.00	9.53	9.53	99.69	12.70	12.70	132.85	45.24	33.32	473.24	-	-	-
18"	14"	457.20	355.60	343	330	4.78	4.78	50.00	9.53	9.53	99.69	12.70	12.70	132.85	45.24	35.71	473.24	-	-	-
18"	16"	457.20	406.40	343	330	4.78	4.78	50.00	9.53	9.53	99.69	12.70	12.70	132.85	45.24	40.46	473.24	-	-	-
20"	14"	508.00	355.60	381	356	5.54	4.78	73.00	9.53	9.53	125.58	12.70	12.70	167.35	49.99	35.71	658.73	-	-	-
20"	16"	508.00	406.40	381	356	5.54	4.78	73.00	9.53	9.53	125.58	12.70	12.70	167.35	49.99	40.46	658.73	-	-	-
20"	18"	508.00	457.20	381	368	5.54	4.78	73.00	9.53	9.53	125.58	12.70	12.70	167.35	49.99	45.24	658.73	-	-	-
22"	16"	558.80	406.40	419	381	5.54	4.78	88.00	9.53	9.53	151.38	12.70	12.70	201.73	53.97	40.46	857.27	-	-	-
22"	18"	558.80	457.20	419	394	5.54	4.78	88.00	9.53	9.53	151.38	12.70	12.70	201.73	53.97	45.24	857.27	-	-	-
22"	20"	558.80	508.00	419	406	5.54	5.54	88.00	9.53	9.53	151.38	12.70	12.70	201.73	53.97	49.99	857.27	-	-	-
24"	18"	609.60	457.20	432	419	6.35	4.78	100.00	9.53	9.53	150.08	12.70	12.70	200.00	59.51	45.24	937.17	-	-	-
24"	20"	609.60	508.00	432	432	6.35	5.54	100.00	9.53	9.53	150.08	12.70	12.70	200.00	59.51	49.99	937.17	-	-	-
24"	22"	609.60	558.80	432	432	6.35	5.54	100.00	9.53	9.53	150.08	12.70	12.70	200.00	59.51	53.97	937.17	-	-	-
26"	20"	660.40	508.00	495	457	7.92	5.54	154.00	9.53	5.54	185.31	12.70	12.70	246.95	-	-	-	-	-	-
26"	22"	660.40	558.80	495	470	7.92	5.54	154.00	9.53	9.53	185.31	12.70	12.70	246.95	-	-	-	-	-	-
26"	24"	660.40	609.60	495	483	7.92	6.35	154.00	9.53	9.53	185.31	12.70	12.70	246.95	-	-	-	-	-	-
28"	22"	711.20	558.80	521	495	7.92	5.54	178.00	9.53	9.53	214.18	12.70	12.70	285.42	-	-	-	-	-	-
28"	24"	711.20	609.60	521	508	7.92	6.35	178.00	9.53	9.53	214.18	12.70	12.70	285.42	-	-	-	-	-	-
28"	26"	711.20	660.40	521	521	7.92	7.92	178.00	9.53	9.53	214.18	12.70	12.70	285.42	-	-	-	-	-	-
30"	24"	762.80	609.60	559	533	7.92	6.35	205.00	9.53	9.53	246.67	12.70	12.70	328.72	-	-	-	-	-	-
30"	26"	762.80	660.40	559	546	7.92	7.92	205.00	9.53	9.53	246.67	12.70	12.70	328.72	-	-	-	-	-	-
30"	28"	762.80	711.20	559	546	7.92	7.92	205.00	9.53	9.53	246.67	12.70	12.70	328.72	-	-	-	-	-	-
32"	26"	812.80	660.40	597	572	7.92	7.92	231.00	9.53	9.53	277.96	12.70	12.70	370.42	-	-	-	-	-	-
32"	28"	812.80	711.20	597	572	7.92	7.92	231.00	9.53	9.53	277.96	12.70	12.70	370.42	-	-	-	-	-	-
32"	30"	812.80	762.80	597	584	7.92	7.92	231.00	9.53	9.53	277.96	12.70	12.70	370.42	-	-	-	-	-	-
34"	28"	863.60	711.20	635	597	7.92	7.92	260.00	9.53	9.53	312.85	12.70	12.70	416.91	-	-	-	-	-	-
34"	30"	863.60	762.80	635	610	7.92	7.92	260.00	9.53	9.53	312.85	12.70	12.70	416.91	-	-	-	-	-	-
34"	32"	863.60	812.80	635	622	7.92	7.92	260.00	9.53	9.53	312.85	12.70	12.70	416.91	-	-	-	-	-	-
36"	30"	914.40	762.80	673	635	7.92	7.92	260.00	9.53	9.53	312.85	12.70	12.70	416.91	-	-	-	-	-	-
36"	32"	914.40	812.80	673	648	7.92	7.92	292.00	9.53	9.53	351.36	12.70	12.70	468.23	-	-	-	-	-	-
36"	34"	914.40	863.60	673	660	7.92	7.92	292.00	9.53	9.53	351.36	12.70	12.70	468.23	-	-	-	-	-	-
38"	32"	965.20	812.80	711	686	7.92	7.92	-	9.53	9.53	-	12.70	12.70	-	-	-	-	-	-	-
38"	34"	965.20	863.60	711	698	7.92	7.92	-	9.53	9.53	-	12.70	12.70	-	-	-	-	-	-	-
38"	36"	965.20	914.40	711	711	7.92	7.92	-	9.53	9.53	-	12.70	12.70	-	-	-	-	-	-	-
40"	34"	1016.00	863.60	749	724	7.92	7.92	-	9.53	9.53	-	12.70	12.70	-	-	-	-	-	-	-
40"	36"	1016.00	914.40	749	737	7.92	7.92	-	9.53	9.53	-	12.70	12.70	-	-	-	-	-	-	-
40"	38"	1016.00	965.20	749	749	7.92	7.92	-	9.53	9.53	-	12.70	12.70	-	-	-	-	-	-	-